

A forum for woodworkers of all skill levels to share their common interests

NORTHWEST WOODWORKERS' GUILD

THE SAWDUST NEWS

April 2011

<http://www.nwwguild.org>

Next Meeting:

**Finishing, by
Michael
Dresdner**

**Thursday
April 28, 2011**

▶ 6:30 PM ◀

**Woodcraft Supply
5963 Corson Ave. S.
Seattle, WA 98108**

Guild Officers

President—Bob Schaefer
**Vice-president and
Membership**—Sally Wright
Treasurer—Chris Green
Secretary—Rick Tydings
Programs—Al Falco, Don
McNutt, Jack Martin, Ed
Moore, Ray Ross
Raffle—Tom Murray, Herb
Stoops

The following are volunteer
positions and are not
Officers of the Guild:

Webmaster
Tom Howorth
thoworth@gmail.com

Newsletter
Steve Krauss
catbert@oz.net
425-746-5067



President's Message

— by Bob Schaefer

The Guild's March 31 meeting at Gurian Instruments was attended by at least 25 members. I am sure we were all impressed by the ingenuity, artistic talent and technical skill manifested by Mr. Gurian as he demonstrated and discussed just one of the many items his company produces--namely decorative wood strips of complex design. A tour through the premises revealed an impressive assemblage of conventional and highly specialized tools. Everyone, I believe, found the meeting to be interesting and informative. The web site, gurianinstruments.com is worth looking at.

The next meeting is Thursday, April 28 at 6:30 p.m. I would like to keep our meeting short in order to allow as much time as possible for our speaker, Michael Dresdner. Therefore, we will not have a raffle or show and tell.

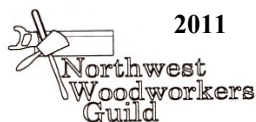
We are, indeed, fortunate that our speaker will be Michael Dresdner, a nationally recognized authority in the field of wood finishing, author of several books and many articles on the subject. After consultation with him he feels that the best program he can offer will be in the form of questions from the audience and his responses. This is a format he has utilized for many years--as opposed to talking about a single topic which may not interest everyone and, moreover, could not be adequately addressed in a single one to two hour session.

PLEASE COME WITH QUESTIONS ABOUT ANY ASPECT OF WOOD FINISHING THAT HAS BEEN PUZZLING TO YOU OR CAUSES YOU PROBLEMS. IF YOU HAVE A PROJECT IN WHICH THERE IS A PROBLEM WITH THE FINISHING PROCESS, FEEL FREE TO BRING IT. IF YOU CANNOT THINK OF ANY QUESTION, JUST VISIT HIS WEBSITE, MICHAELDRESDNER.COM AND YOU WILL FIND PLENTY OF TOPICS TO STIMULATE YOUR INTEREST.

This promises to be an excellent meeting and an opportunity to hear a well known expert. Some food will be served as well. In the words of Seattle Opera general director Speight Jenkins, "It's gonna be a great show--don't miss it!"



A forum for woodworkers of all skill levels to share their common interests



Northwest Woodworkers Guild
Steve Krauss, Newsletter Editor
16204 Main St
Bellevue, WA 98008

Member's Discounts

All members in good standing receive a membership card that will allow them to get a discount at the stores listed below:

Crosscut Hardwoods
4100—1st Avenue S.,
Seattle 98134
10% Discount

Rockler Woodworking
3823 Stone Way N.
Seattle 98103
10% Discount (not valid on power tools)

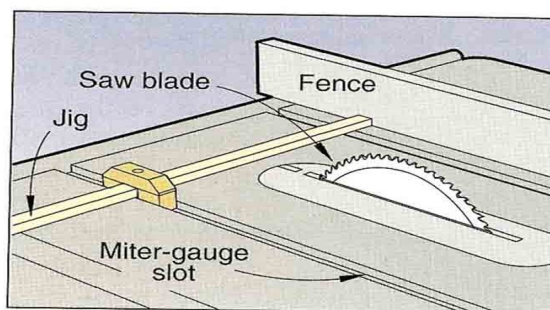
Woodcraft Supply
5963 Corson S.,
Seattle 98108
10% Discount (not valid on power tools or workbenches)

Edensaw Woods
8032 S. 194th St.
Kent, WA 98032

Please present your current membership card to receive your discount.

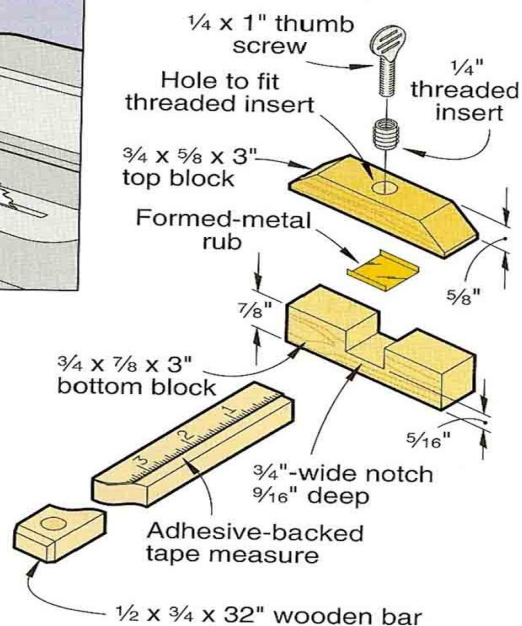
Shop Tip (submitted by Herb Stoops)

ELIMINATE CONSTANT MEASURING WITH THIS RIP-FENCE GAUGE



On table saw fences that don't always lock parallel to the blade, checking and rechecking the measurement sure gets aggravating. But if you don't check the fence, the workpiece may bind and kick back halfway into a cut. With this rip-fence gauge, you can align the fence in seconds. Build the block for the miter slot and the bar out of hardwood to the dimensions shown. Make the metal rub out of brass so that your thumbscrew doesn't dent the bar. (For brass, check your local hobby shop.) For measuring from the fence to the blade, the adhesive-backed measuring tape should read from right to left.

To use the gauge, set the fence where you want it, and place the block in the miter slot. Put the



measuring bar in front of the sawblade and extend it out until it touches the fence. Now, tighten the thumbscrew. Place the gauge in the miter slot at the back of the table, check the measurement to the fence, and repeat the procedure on the front of the table. Adjust the fence until it reads exactly the same distance at both the front and the back of the table.

—Dwight L. Pierson, Rochester, Minn.

March Meeting At Gurien Instruments

